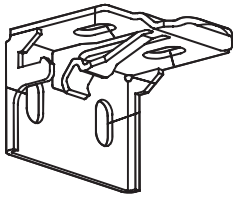


Installation Instructions

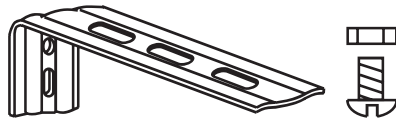
CBM Sheer Horizontal Shades: Your Sheer Horizontal shade package contains brackets & screws for mounting the shade in any position on the window. The package should display a label that specifies the corresponding room name and window opening number.

Tools needed: Cordless drill with #8 Robertson drive attachments, standard flat head screwdriver, tape measure and pencil.

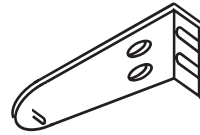
Parts included: Installation brackets & screws.



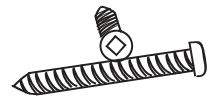
Installation bracket



L bracket with nut & bolt (side mt only)



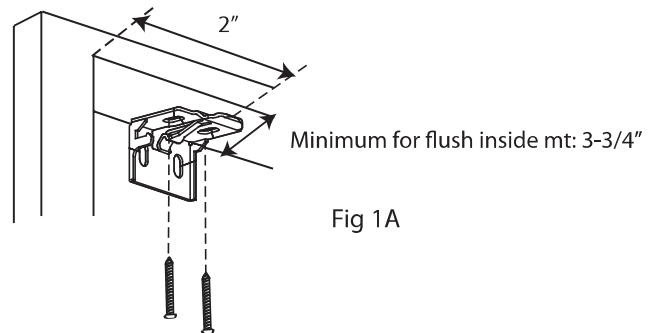
Hold down bracket



Installation screws

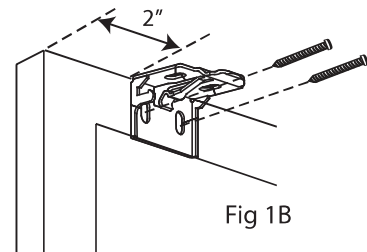
1 - Mounting the brackets: Shades can be installed inside or outside the window frame. If your custom Sheer shade was specified to be inside mount, refer to section 1A, otherwise skip to section 1B.

1A: Ceiling/inside mount: Each shade requires a minimum of two brackets. End brackets must be installed at least 2" from each end of the headrail (fig 1A). For wider shades that require more brackets, these should be spaced evenly between the two outermost brackets. Mount the brackets using two screws per bracket. Refer to the chart below to determine the number of brackets per shade.

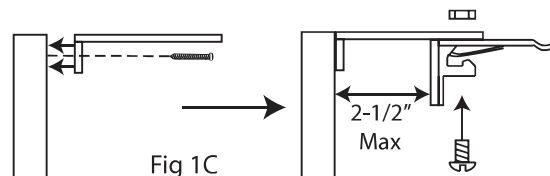


Width	Up to 40"	40" - 72"	72" - 84"	84" & 112"
No. of brackets	2	3	4	5

1B: Wall/outside mount: Each shade requires a minimum of two brackets. First, mark the position of the headrail on the wall. We highly recommend using a level for this step. End brackets must be mounted at least 2" from each end of the headrail. (fig 1B) For wide shades that require more brackets, these should be spaced evenly between the two outermost brackets. Please refer to the chart above to determine the number of brackets per shade.

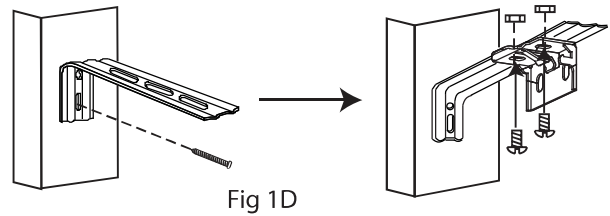


1C: Extension brackets: Optional extension brackets are used to project the back of the shading up to 2-1/2" from the mounting surface. Attach the mounting brackets to the extension bracket with the nut and bolt provided. (fig 1C)

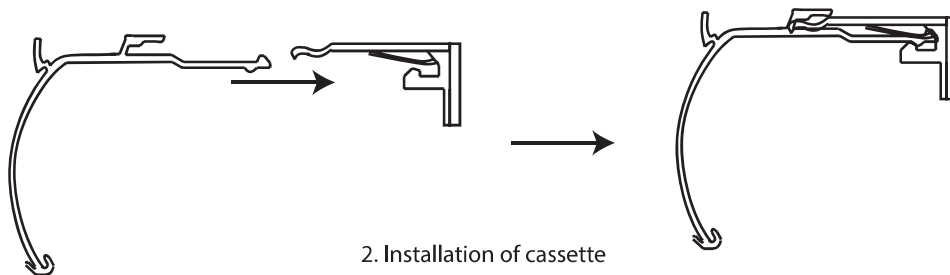


Installation Instructions

1D: Extension brackets: Measure from window sill up to desired mounting position on each side of the window frame. Mark position. Mount side mount brackets on each side of the window frame as shown in figure 1D. Use a level to confirm that headrail will sit perfectly level. Once side mount brackets are installed and properly positioned, attach the mounting brackets using the nuts and bolts provided.



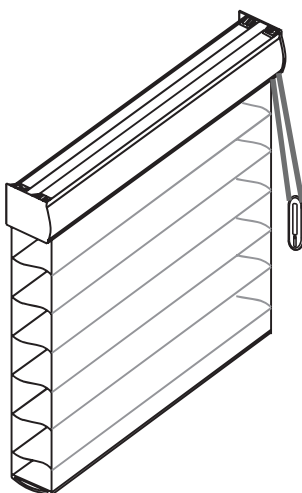
2 - Installing the shade: All CBM shades are rolled all the way up before packaging. Make sure the shade is in that position before attempting to install. Align the headrail as show in the image below and then push it back until it is fully engaged.



3. Installing the tension device: The tension device reduces the hazards of strangulation and entanglement of young children by limiting access to control chain. It must be installed for the shade to be operable. Anchor the tension device (attached to the shade's control chain) to the window frame or wall so that young children cannot put the chain around their necks. To install, lower the shade all the way down, hold the tension device upright as shown in the diagram. Position the tension device on the window frame or the wall so that tension device and control chain do not interfere with raising or lowering of the shade. Fasten the screws through the holes to secure the tension device.

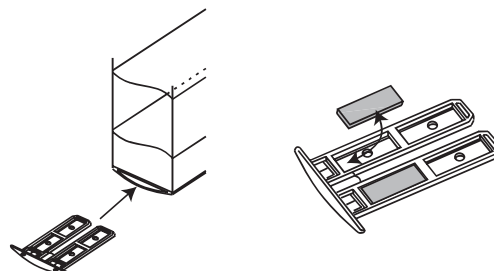


4. Operation: Pulling down the back cord will lower the shade. When the shade is completely lowered, pulling down on the back cord will open the vanes.



Equalization adjustment: If the fabric is moving to one side (or one side of the bottom rail is higher than the other), slide the end cap from the higher side of the rail. There are two weights in the end cap already, and the two positions are empty for new weights.

Place a weight in one of the positions. Replace the end cap and check the operation again. If the shade still shifts, add the additional weight. If the shade still shifts, remove weights from the opposite side end cap for additional adjustment.

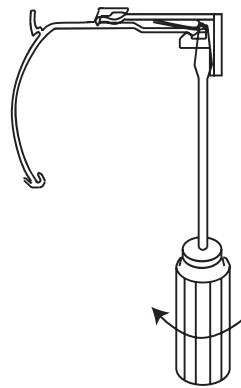


Installation Instructions

5. Hold down installation (optional): Use the pin on the hold down bracket to punch out the front hole on the bottom rail end cap. Mount the hold down to the side or back of the window frame so that the pin lines up with the front hole in the bottom rail end cap with the shade fully lowered and fully open. Lower the shade and flex the hold down bracket outward so that the pin can be inserted into the hole in the end cap.



6. Headrail removal: To remove the shade, partially lower the shade and insert a flat head screwdriver as shown. Twist the screwdriver until the headrail disengages from the bracket.



7. Cleaning & care: Sheer horizontal window shades are made of sturdy, knitted polyester fabrics and may be feather dusted or vacuumed at a low suction setting. Spots or stains can be rubbed clean with a damp sponge and mild soap. To avoid discoloration of the material, we recommend against the use of chemical cleaners. If necessary, the shade maybe ultrasonically cleaned by a professional.

All knitted fabrics experience weave variations due to heat, humidity and other room conditions. These variations can result in slight bowing, puckering and dimpling of the sheer horizontal material.



WARNING / MISE EN GARDE

Young children can **STRANGLE** in cord and bead chain loops. They can also wrap cords around their necks and **STRANGLE**. Always keep cords and bead chains out of children reach.

Move cribs, playpens, and other furniture away from cords and bead chains. Children can climb furniture to get to cords. Attach tension device to wall or floor. This can prevent children from pulling cords and bead chains around their necks.

For more safety information: 1-866-662-0666