

myLink™ RTS Smartphone and Tablet Interface

Part #1811403



Overview:

The myLink™ RTS Smartphone and Tablet Interface is a WiFi to Radio Technology Somfy® bridge that can control up to 5 channels of RTS motorized products using the Somfy myLink apps for iOS and Android devices. Through the app, users can send immediate RTS commands, create Scenes (a group of motorized products working together) and Schedules (timed events). Users may access their myLinks from anywhere with the app's remote access feature. Though the myLink is a single-zone controller, multiple myLinks can be joined within the same system for multi-zone control.



Features Summary:

- Control for up to 5 RTS channels per myLink™ from iOS and Android devices
- Join multiple myLinks together for multi-zone control
- Manually activate RTS products
- Automate window coverings with Scenes and Schedules
- Supports Up/Down/My/Stop commands and incremental control (tilt/brightness)
- Multiple users
- Remote access

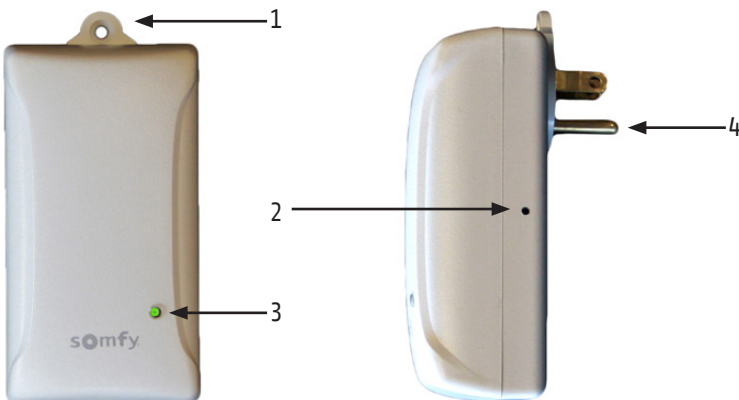
Technical Specifications:

- 110V AC; 50–60Hz
- Ultra Low Power Wi-Fi (802.11 b/g/n)
- 4.11L x 2.23W x 1.52H in.
- Radio Frequency:
 - RTS 433.32 MHz
 - WiFi: 2.4 GHz
- iOS Version: 7 and higher
- Android Version: Jelly Bean and higher
- Operating Temp: 0–45 degrees C
- Rated Current (Amps): 10 milliamps AC max
- Insulation Class: Class II
- For Indoor Use Only
- Enclosure:
 - ABS
 - UL94V-0 flame rating
 - RoHS compliant
 - UL listed
- Shipping Weight: 1lb

What's in the Box:

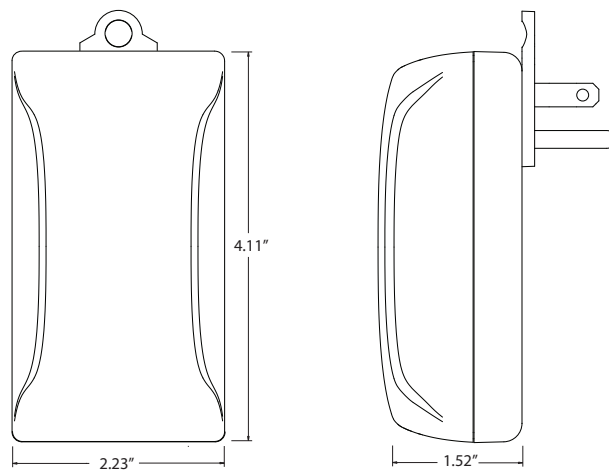
- myLink™
- Quick Start Guide

Connections and Indicators:



ELEMENT	FUNCTION
1 Hold Down Tab	Allows device to be secured to outlet
2 Setup Button	Engages setup mode
3 Status LED	Solid Red: setup mode and is ready to connect to LAN Solid Green: connected to LAN Blinking Green: searching for/connecting to a LAN Flashing Red: RTS signal transmission Solid Amber: failsafe mode
4 AC Prongs	AC prongs

Dimensions:



Wiring Best Practice:



This component complies with part 15 of the FCC Rules. Operation is subject to the following two conditions: 1) The device may not cause harmful interference, and 2) this device must accept any interference received, including interference that may cause undesired operation. Modifying or tampering with the transceiver's or receiver's internal components can cause a malfunction, invalidate the warranty, and will void FCC authorization to use these products.

This device complies with Industry Canada licence-exempt RSS standard(s). Operation is Subject to the following two conditions: (1) this device may not cause interference, and (2) this device must accept any interference, including interference that may cause undesired operation of the device.